



# GAUSS FURNITURE L.L.C.

www.GaussChair.com sales@gausschair.com +886-918567729



Website Skype WhatsApp Line WeChat

OA

|                 |  |       |  |
|-----------------|--|-------|--|
| Company:        |  | Date: |  |
| Address:        |  | Time: |  |
| Attention:      |  |       |  |
| Terms:          |  |       |  |
| Prices valid:   |  |       |  |
| Payment:        |  |       |  |
| Shipment:       |  |       |  |
| Customer Notes: |  |       |  |

## QUOTATION FORM

### Z-238



| Product  | QTY (Seat) | Unit Price (USD) | Subtotal (USD) |
|--|------------|------------------|----------------|
| <b>Z-238</b>   |            |                  |                |
| Seat Back wood   |            |                  |                |
| Seat Seat Wood   |            |                  |                |
| Left Arm Frame<br>(Quantity subject to the final layout of number of connected rows) |            |                  |                |

**SEAT SUBTOTAL (USD)**

#### Optional Accessories

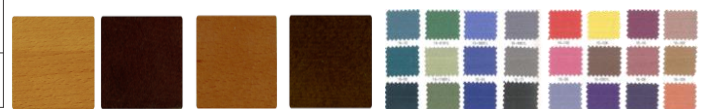
| Product   | Unit Price (USD) | QTY (pcs) | Subtotal (USD) | Product                                      | Unit Price (USD) | QTY (pcs) | Subtotal (USD) |
|---|------------------|-----------|----------------|--|------------------|-----------|----------------|
| LED Aisle Light<br>Code: N-4                            |                  |           |                | Donor Name<br>Code: N-5                      |                  |           |                |
| Back/ Seat Number Plate<br>Code: N-2 (back)/ N-3 (seat) |                  |           |                | Fire-resistant Fabric (BS 5852)<br>Code: N-6 |                  |           |                |

**OPTIONAL ACCESSORIES SUBTOTAL (USD)**

#### SHIPPING INFORMATION

|                   |         |         |
|-------------------|---------|---------|
| Container Size    | 40HQ    | 20HQ    |
| Quantity of Seats | 400 pcs | 200 pcs |

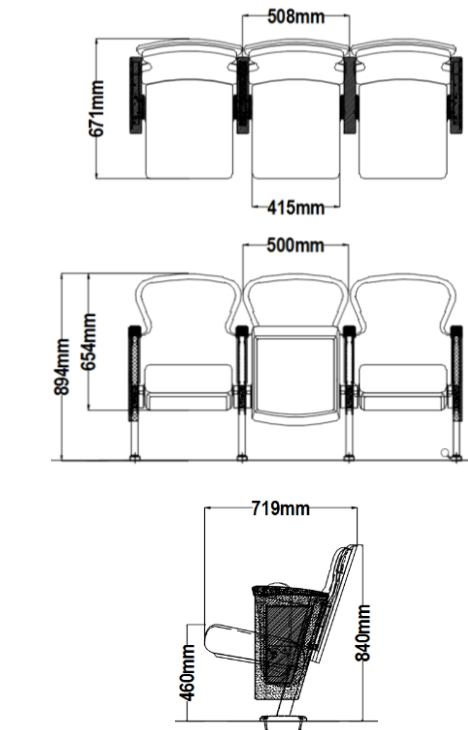
#### WOOD AND FABRIC SWATCHES



Scan to view Fabric and Wood Swatches



Scan to download a 3D Model of this seat model.



Basic warranty is 1 year.  
Extending warranty additional 2% of total amount for addition of three years.  
EXW price excludes local installation fee/ sea freight/ handling fee/ truck fee.

**BANK: OFF-SHORE BANKING BRANCH**  
**ADDRESS: No.339, Zhongshan Rd., Rende Dist., Tainan City 717, Taiwan (R.O.C.)**  
**SWIFT: MBBTTWTP893**  
**A/C NO.: 893-50-018493**  
**BNF: GAUSS FURNITURE L.L.C.**

**NOTE:**  
**Please remit full amount.** Overseas intermediary bank processing fees borne by buyer.

**Yen, Chin-Hu**  
**GAUSS FURNITURE L.L.C.**

DATE:

