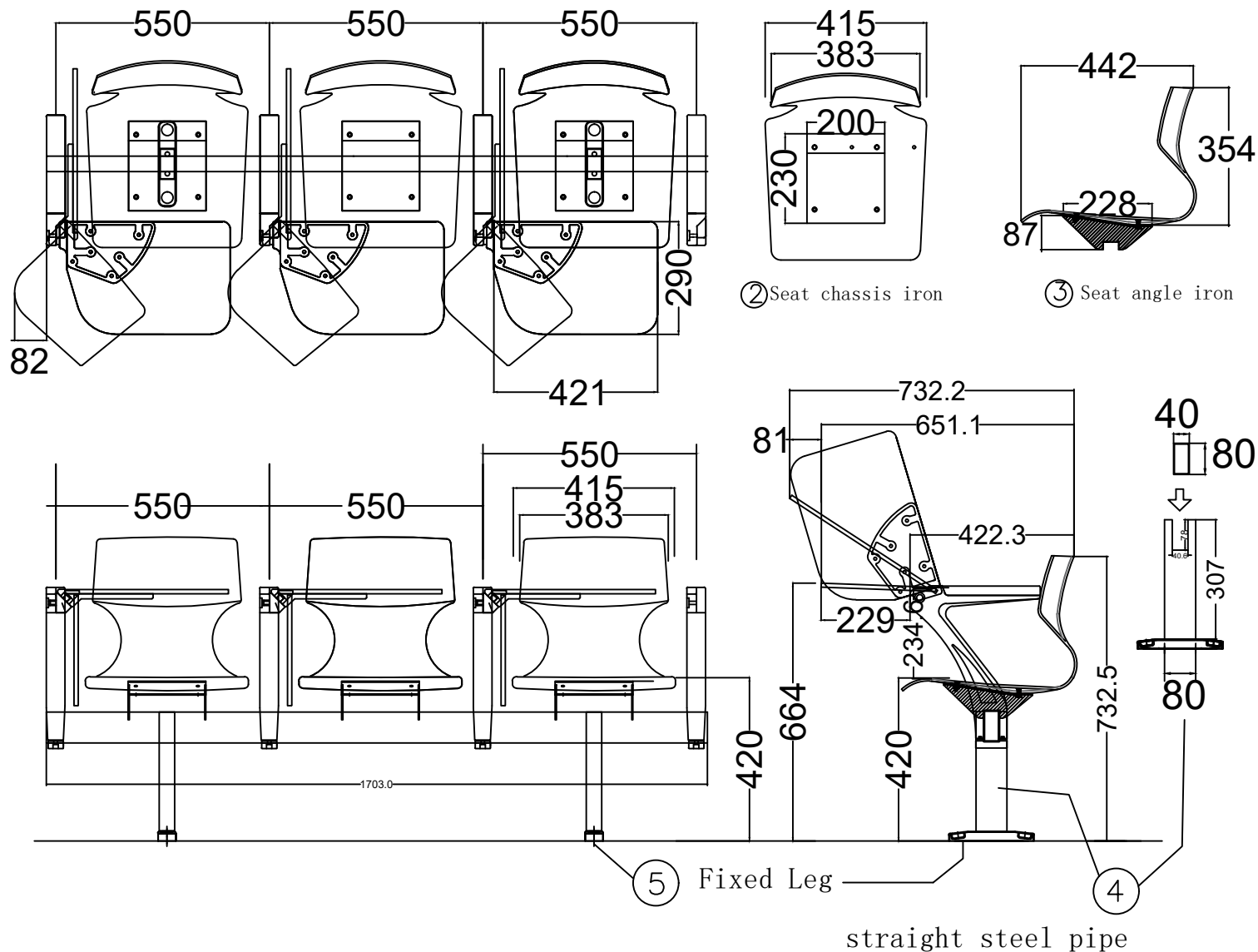




GAUSS SEATING CO., LTD.
TAINAN SEATING CORPORATION
GAUSS (KUNSHAN) FURNITURE LTD. CO.
GAUSS FURNITURE L.L.C.
GAUSS FURNITURE FRANCE

SEAT MODEL:
ZG-201-FGT



ZG-201-FGT
SPECIFICATIONS

1	chair surface	The high-density multi-layer board is made of multi-layer beech wood slices with a thickness of 0.5mm, soaked in the strengthening resin solution, and then passed through the mold. It is integrally formed under high temperature and high pressure, its total thickness is about 6mm±5%, and its appearance is beech wood grain color.	Height 354*Width 415*Depth 442mm
2	Seat chassis iron	The thickness 3.0*width 200*depth 230mm steel plate is welded on the angle iron.	Thickness 3.0* Width 200* Depth 230mm
3	Seat angle iron	The thickness 3.0*width 228*height 87mm steel plate is welded on the horizontal steel pipe, and the upper end is welded tightly with the iron sheet of the seat chassis.	Thickness 3.0* Width 228* Height 87mm
4	Horizontal steel pipe	Square steel pipe with a thickness of 2.0*40*80*.	Thickness 2.0*40*80mm
5	straight steel pipe	A square steel pipe with a thickness of 2.0*40*80mm is used, and a gap of 40*80mm needs to be punched out at the upper end, then inserted into the horizontal steel pipe, and then connected with Horizontal steel pipe welding, the structural strength of this design is stronger than directly welding the foot pipe to the lower end of the horizontal pipe durable..	Thickness 2.0*40*80mm
6	fixed feet	220*46*25*2.5mm has a cover to fix the foot plate, and the expansion screw can be hidden inside the foot plate	220*46*25*2.5mm thick
7	PU armrest	Using black PU armrest, appearance size: width 48*length 250*height 24mm	Width 48*Length 250*Height 24mm
8	Aluminum alloy hand support	Aluminum alloy die-casting integral molding, appearance size: 48*393*335mm.	45*397*62mm
9	writing board leaf	Aluminum alloy die-casting integrated molding, appearance size: 159*246*45mm.	159*246*45mm.
10	writing board	Adopting A.B.S. Injection integrated into a writing board enlarged to 420*290mm, adopting solid injection molding, the thickness is above 11mm (inclusive)	420*290mm
11	Double axis swivel	It is integrally formed by stainless steel die-casting, appearance size: 50*50*58mm, and reaches the static load of the writing board above 200kg.	50*50*58mm

12	Test Report of WordPad	<p>1. Tablet static load test: The static load at the center of the writing board must be more than 200Kg. With a load of 200kg (diameter 300mm), place the writing board at a distance of 140mm from the center of the rotating shaft. At 70mm inside, after the test is completed, the writing board is not damaged or broken, and the flipping function is still normal, and the test report is required.</p> <p>2. Tablet impact resistance test: The writing board is unfolded into the use state, with a load of 350 pounds (=158.9kg) (diameter 300mm), placed 50mm above the writing board, the impact position is far from the rotating shaft 140mm from the center and 70mm from the inner side of the writing board, the writing board was freely dropped and impacted. After the test was completed, the writing board was not damaged or broken, and the flipping function was still normal. A test report is required.</p> <p>3. Vertical strength test of handrail: Fix the seat on the test platform, apply a vertical load of 500 lbs (=227kg), and apply a pressure area of 75mm*75mm to the most vulnerable part of the armrest, and the test is completed. After that, if the tablet is not damaged or broken, and the flipping function is still normal, a test report is required.</p> <p>4. Handrail horizontal strength test: Fix the seat on the test platform, apply a horizontal tension of 200 lbs (=90.8kg) on the most vulnerable part of the armrest, after the test is completed, the writing board is not damaged or broken, the flipping function is still normal, and the test report needs to be attached.</p>	
----	------------------------	--	--

Notes:

(1). A copy of the test report must be attached to the specification envelope for the bid (the original must be checked within 7 days after winning the bid),

Manufacturers whose seats meet the test standards can participate in the price bid, and those who fail to meet the standards are considered disqualified.

Cannot participate in the price opening.

(2). Bidding shall be accompanied by the color original catalog in the specification envelope, and the pictures of the products to be tendered shall be marked.

(3). After winning the bid, the style and material specifications of the product shall not be changed.

(4). This product shall be guaranteed for one year free of charge.



GAUSS SEATING CO., LTD.
GAUSS FURNITURE L.L.C.

TAINAN SEATING CORPORATION
GAUSS FURNITURE FRANCE

GAUSS (KUNSHAN) FURNITURE LTD. CO.

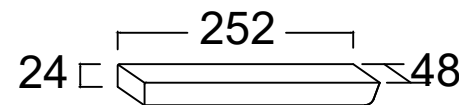
SEAT MODEL:

ZG-201-FGT-W55

A3 size large writing board related components Large sample size:

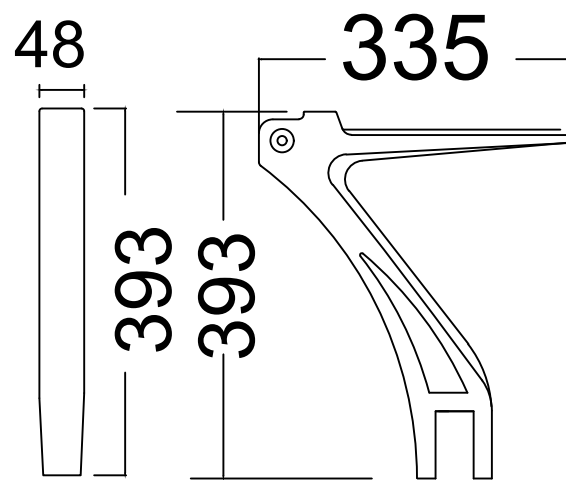
⑦ PU armrest

Width 48*Length 250*Height 24mm



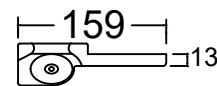
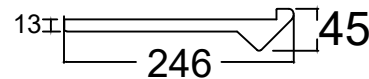
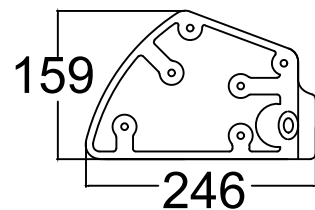
⑧ Aluminum alloy armrest bracket

48*393*335mm



⑨ Aluminum Alloy Leaf

159*246*45mm



⑪ Stainless steel double shaft swivel seat

50*50*58mm

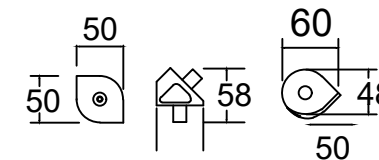
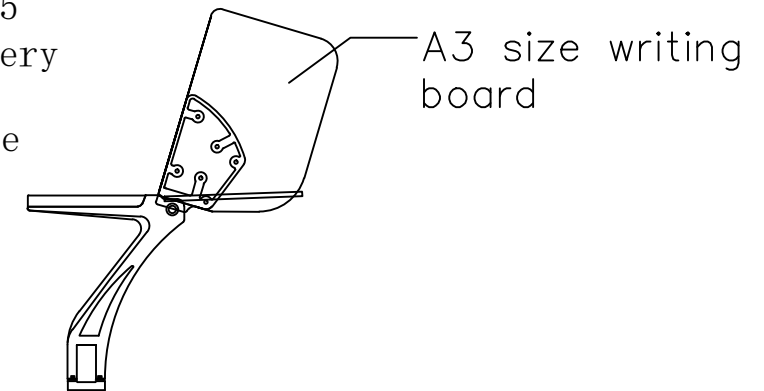


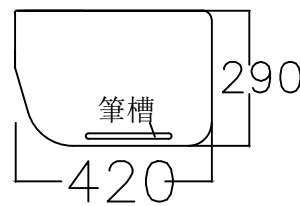
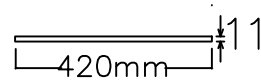
Table adopts 45° rotation recovery

save flip space



⑩ ABS plastic writing board

Thickness 11*Depth 290*Width 420mm



ABS Injection integrated into an enlarged table, the solid thickness is 11mm (inclusive) or more
Appearance size: 420*290*11mm

